

匯統國際股份有限公司
Huey Tung International Co., Ltd.

產品規格書 Specification

[Model : HT-NS2840B6PF4-350/ 2004.03.19 version]



Cara Audio Corporation

No.69, Lane 762, Dingzhong Road, Sanmin District, Kaohsiung City, Taiwan, ROC.


Tel: 886-7-310 5786 / Fax: 886-7-310 0783

E-mail: carawang@hueytung.com.tw / <http://www.hueytung.com.tw>

揚聲器製品規格書

SPEAKER SPECIFICATION

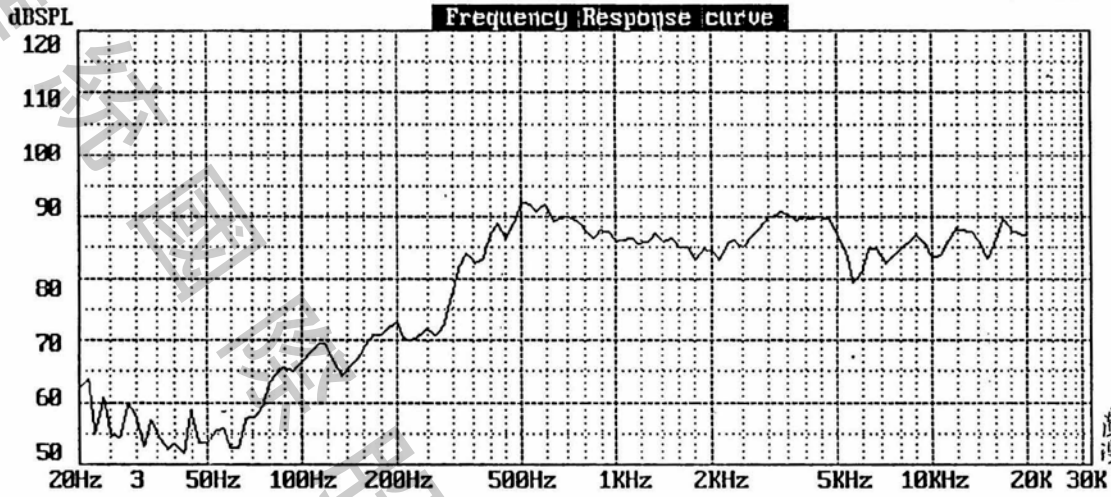
型號 Model Number: HT-NS2840B6PF4-350 (2004B0021)

項目 Items		規格 Specification		
1	公称阻抗 Nominal Impedance	4Ω±15% at 1000Hz 1.0V		
2	最低共振周波数 Lowest Resonance Frequency	130Hz±20%Hz Without a baffle		
3	实效周波数带域 Effective Frequency Range	F0~20KHz -10dB		
4	出力音压 Output Sound Pressure Level	87dB±3dB 2.5W/0.5M at (600,800,1K,1.2K)Hz AVE.		
5	入力 Input	定格入力 Rated input 3 W	最大入力 Maximum input 5 W	
6	磁束密度 Flux Density	-----±10% GAUSS		
7	异常音试验电压 Buzz & Rattle Test	Must be normal at sine wave 3.46V		
8	动作试验电压 Operation Test	Must be normal at program source 3.46V		
9	极性 Polarity	LEFT”-” RIGHT”+“		
10	磁石尺寸/重量 Magnet Dimension/Weigh	Magnet: 12.5*2.5 N35 Sub Magnet:	2.21G	
11	连续负荷试验 Life Test	Pink noise 3W HOURS	After the Test, Speaker should be meet the Outside and item 7,8	
12	耐热试验 Heat Resistance	55°C±2°C 24Hours and then room temperature 1 hours		
13	耐湿试验 Humidity Resistance	40°C±2°C 90%-95%RH 24Hours and then room temperature 1 hours		
14	耐寒试验 Cold Resistance	/		
15	落下试验 Drop Test	/		
16	绝缘耐压试验 Insulation Resistance	Or more 1MΩ 以上		
17	周波数特性 Frequency Response Curve	参照附图 On Other Drawing		
18	失真率 Distortion	10% MAX		
19	各部 材质	Cone	Paper cone + Foam Edge	
		Voice Coil	13Φ*4Ω PSV	
		Cap	/	
20	总重量 Total Weight	G		
	Size:32mm 試作發行: 2004. 03. 19	Approve: Arthur	Check: John	Design: LIU

音波曲線 Frequency: HT-NS2840B6PF4-350

Firm: *20140521* Model: HT-NS2840B6PF4-350 DATE: 03-18-2004 TIME: 12:05:05
 1000Hz Sens.= 06.0dB SPL Pass F.R.: Pass DCR: 4.35Ω Pass
 Average SPL: 07.9dB SPL Pass (600: 800:1000: 1200Hz) Sweep Speed: 1/12 Oct.

B 6.11

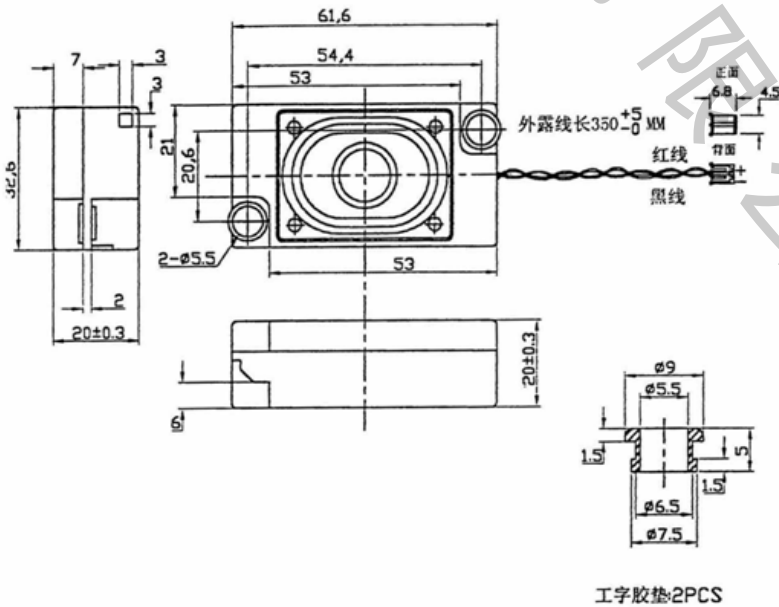


Voltage applied for F.R. = 3.456V Start F. = 20Hz Stop F. = 20000Hz
 Measuring Distance = 0.50M

Mfg.: 40HM 3W

Measured using Sunlight 1600;

成品圖及照片 Mechanical Dimensions: HT-NS2840B6PF4-350



Tolerance: 0.5
 Unit: mm

